



US00D584809S

(12) **United States Design Patent**  
**Porchia et al.**

(10) **Patent No.:** **US D584,809 S**  
(45) **Date of Patent:** **\*\* Jan. 13, 2009**

(54) **DISPENSING DEVICE**

(75) Inventors: **Jose Porchia**, Greenfield, WI (US);  
**Miguel do Canto Moniz Bual**, Lisbon (PT); **João Paulo Possidónio Miguens**, Mem-Martins (PT); **Pedro Emanuel Vasconcelos de Queiroz Vieira**, Cascais (PT); **Mark E. Wefler**, Racine, WI (US); **David C. Belongia**, Burlington, WI (US); **Marilyn M. Johnson**, Wauwatosa, WI (US)

(73) Assignee: **S. C. Johnson & Son, Inc.**, Racine, WI (US)

(\*\*) Term: **14 Years**

(21) Appl. No.: **29/294,951**

(22) Filed: **Feb. 4, 2008**

(51) **LOC (9) Cl.** ..... **28-99**

(52) **U.S. Cl.** ..... **D23/366**

(58) **Field of Classification Search** ..... D23/355-396;  
261/DIG. 17, DIG. 43, DIG. 65, DIG. 88,  
261/DIG. 89; 239/34, 35, 53, 56, 57, 60,  
239/136, 326; 392/386, 394, 395; D28/5,  
D28/6

See application file for complete search history.

(56) **References Cited**

**U.S. PATENT DOCUMENTS**

1,204,934 A 11/1916 Burford et al.

(Continued)

**FOREIGN PATENT DOCUMENTS**

CA 2222838 1/1997

(Continued)

**OTHER PUBLICATIONS**

International Search Report in PCT/US2003/36090 dated May 3, 2004.

(Continued)

*Primary Examiner*—Sandra Snapp

(57) **CLAIM**

The ornamental design for a dispensing device, as shown and described.

**DESCRIPTION**

FIG. 1 is an isometric view of a top, front, and left side of a first embodiment of a dispensing device of the present invention;

FIG. 2 is a rear elevational view of the dispensing device of FIG. 1

FIG. 3 is a front elevational view of the dispensing device of FIG. 1

FIG. 4 is a right side elevational view of the dispensing device of FIG. 1;

FIG. 5 is a left side elevational view of the dispensing device of FIG. 1;

FIG. 6 is a top plan view of the dispensing device of FIG. 1;

FIG. 7 is a bottom elevational view of the dispensing device of FIG. 1;

FIG. 8 is an isometric view of a top, front, and left side of a second embodiment of a dispensing device of the present invention;

FIG. 9 is a rear elevational view of the dispensing device of FIG. 8;

FIG. 10 is a front elevational view of the dispensing device of FIG. 8;

FIG. 11 is a right side elevational view of the dispensing device of FIG. 8;

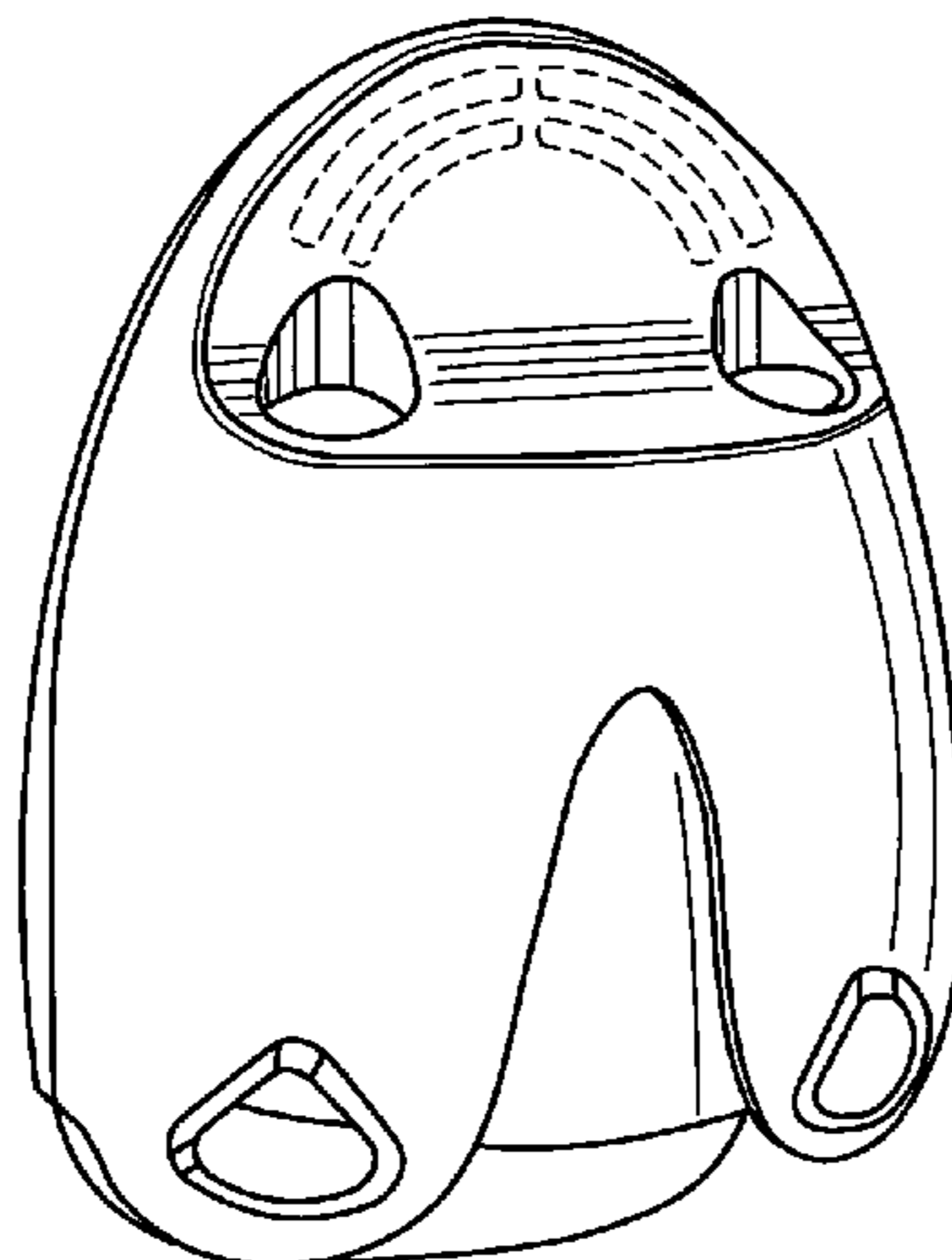
FIG. 12 is a left side elevational view of the dispensing device of FIG. 8;

FIG. 13 is a top plan view of the dispensing device of FIG. 8; and,

FIG. 14 is a bottom elevational view of the dispensing device of FIG. 8.

The subject matter shown above in dashed lines forms no part of the claimed invention.

**1 Claim, 4 Drawing Sheets**



# US D584,809 S

Page 2

U.S. PATENT DOCUMENTS						
			5,167,877	A	12/1992	Pai
1,947,752	A	2/1930	5,175,791	A	12/1992	Muderlak et al.
1,763,374	A	6/1930	5,178,327	A	1/1993	Palamand et al.
1,829,714	A	10/1931	5,186,869	A	2/1993	Stumpf et al.
2,084,682	A	6/1937	5,192,342	A	3/1993	Baron et al.
2,094,161	A	9/1937	5,193,744	A	3/1993	Goldstein
2,103,609	A	12/1937	5,201,025	A	4/1993	Landesberg
2,221,876	A	11/1940	5,212,672	A	5/1993	Loisch et al.
2,301,691	A	11/1942	5,227,068	A	7/1993	Runyon
2,555,047	A	5/1951	5,230,837	A	7/1993	Babasade
2,600,877	A	6/1952	5,234,162	A	8/1993	Sullivan
2,608,436	A	8/1952	5,314,619	A	5/1994	Runyon
2,686,944	A	8/1954	5,314,669	A	5/1994	Hamilton
2,741,004	A	4/1956	5,321,669	A	6/1994	Thayer et al.
2,905,049	A	9/1959	5,342,584	A	8/1994	Fritz et al.
3,118,610	A	1/1964	5,343,747	A	9/1994	Rosen
3,172,604	A	3/1965	5,364,027	A	11/1994	Kuhn
3,301,486	A	1/1967	5,377,363	A	1/1995	Shieh
3,370,571	A	2/1968	5,398,070	A	3/1995	Lee
3,383,178	A	5/1968	D359,346	S	6/1995	Martin
3,410,488	A	11/1968	5,434,386	A	7/1995	Glenn et al.
3,447,505	A	6/1969	5,449,117	A	9/1995	Muderlak et al.
3,612,356	A	10/1971	D364,450	S	11/1995	Kearnes
3,628,829	A	12/1971	5,518,790	A	5/1996	Huber et al.
3,655,135	A	4/1972	5,521,357	A	5/1996	Lock et al.
3,711,023	A	1/1973	5,524,609	A	6/1996	Krull
3,763,888	A	10/1973	5,565,148	A	10/1996	Pendergrass, Jr.
3,812,996	A	5/1974	5,591,409	A	1/1997	Watkins
3,844,057	A	10/1974	5,660,330	A	8/1997	Scott
3,917,396	A	11/1975	5,666,987	A	9/1997	Combs
3,972,473	A	8/1976	D385,024	S	10/1997	Roberts
4,084,732	A	4/1978	5,695,692	A	12/1997	Kennedy
4,229,415	A	10/1980	5,724,256	A	3/1998	Lee et al.
4,235,373	A	11/1980	5,725,472	A	3/1998	Weathers
4,391,390	A	7/1983	5,727,186	A	3/1998	Shervington et al.
4,456,176	A	6/1984	5,734,590	A	3/1998	Tebbe
4,545,396	A	10/1985	5,762,268	A	6/1998	Shervington et al.
4,556,539	A	12/1985	5,772,074	A	6/1998	Dial et al.
4,580,721	A	4/1986	5,805,768	A	9/1998	Schwartz et al.
4,588,874	A	5/1986	5,810,201	A	9/1998	Besse et al.
4,603,030	A	7/1986	5,816,446	A	10/1998	Steindorf et al.
4,614,300	A	9/1986	5,832,320	A	11/1998	Wittek
4,629,164	A	12/1986	5,887,118	A	3/1999	Huffman et al.
4,629,604	A	12/1986	5,894,841	A	4/1999	Voges
4,680,060	A	7/1987	5,899,381	A	5/1999	Gordon et al.
4,695,434	A	9/1987	5,899,382	A	5/1999	Hayes et al.
4,755,404	A	7/1988	5,949,522	A	9/1999	Manne
4,798,935	A	1/1989	5,972,290	A	10/1999	De Sousa
4,846,403	A	7/1989	5,975,675	A	11/1999	Kim
4,852,802	A	8/1989	6,000,658	A	12/1999	McCall, Jr.
4,870,991	A	10/1989	6,039,212	A	3/2000	Singh
D304,758	S	11/1989	6,053,738	A	4/2000	Ivey, Jr.
4,881,568	A	11/1989	6,106,786	A	8/2000	Akahoshi
4,893,615	A	1/1990	6,123,935	A	9/2000	Wefler et al.
4,901,890	A	2/1990	6,136,277	A	10/2000	Nardini
4,905,112	A	2/1990	6,141,496	A	10/2000	Sundberg et al.
4,913,034	A	4/1990	D437,636	S	2/2001	Basaganas
5,011,632	A	4/1991	6,189,810	B1	2/2001	Nerushai et al.
5,022,585	A	6/1991	6,196,218	B1	3/2001	Voges
5,023,020	A	6/1991	6,231,032	B1	5/2001	Ivey, Jr.
5,038,394	A	8/1991	6,234,455	B1	5/2001	Wittek
5,038,972	A	8/1991	6,241,944	B1	6/2001	Budman
5,050,798	A	9/1991	6,254,065	B1	7/2001	Ehrensperger et al.
5,071,621	A	12/1991	6,279,836	B1	8/2001	Toetschinger et al.
5,097,375	A	3/1992	D449,101	S	10/2001	Wolpert et al.
5,105,133	A	4/1992	6,296,196	B1	10/2001	Denen et al.
5,111,477	A	5/1992	D451,990	S	12/2001	Millet
5,115,975	A	5/1992	6,328,287	B2	12/2001	Wittek
5,133,498	A	7/1992	6,338,818	B2	1/2002	Budman
5,152,397	A	10/1992	D453,560	S *	2/2002	Van Brunt ..... D23/355
D330,758	S	11/1992	6,357,726	B1	3/2002	Watkins
5,163,616	A	11/1992	6,368,564	B1	4/2002	Smith
			6,371,451	B1	4/2002	Choi

# US D584,809 S

6,379,242 B1	4/2002	Wiseman, Sr. et al.	7,344,123 B2	3/2008	Pankhurst et al.
6,390,453 B1	5/2002	Frederickson et al.	7,357,561 B2	4/2008	Hidalgo et al.
6,406,004 B1	6/2002	Ude	2001/0004995 A1	6/2001	Ulczynski et al.
6,409,093 B2	6/2002	Ulczynski et al.	2001/0048037 A1	12/2001	Bell et al.
D461,549 S	8/2002	Garcia	2002/0018181 A1	2/2002	Manne
D463,437 S	9/2002	Bush et al.	2002/0066798 A1	6/2002	Laudamiel-Pellet et al.
6,446,583 B2	9/2002	Vieira	2002/0066967 A1	6/2002	Bartsch et al.
D464,130 S	10/2002	Denham et al.	2002/0068009 A1	6/2002	Laudamiel-Pellet et al.
D466,204 S	11/2002	Wolpert et al.	2002/0068010 A1	6/2002	Laudamiel-Pellet et al.
6,487,367 B2	11/2002	Vieira	2002/0114744 A1	8/2002	Chiao et al.
6,501,052 B2	12/2002	Cox et al.	2002/0144992 A1	10/2002	Vieira
6,501,906 B2	12/2002	Vieira	2002/0146242 A1	10/2002	Vieira
6,502,762 B2	1/2003	Tuttobene, Jr.	2003/0107139 A1	6/2003	Wohrle
6,511,531 B1	1/2003	Cartellone	2003/0132308 A1	7/2003	Vieira
6,533,193 B2	3/2003	White	2003/0152375 A1	8/2003	Schneiderbauer
6,536,746 B2	3/2003	Watkins	2003/0164557 A1	9/2003	Chung et al.
6,542,442 B2	4/2003	Kaslon	2003/0168524 A1	9/2003	Hess et al.
6,555,068 B2	4/2003	Smith	2003/0175148 A1	9/2003	Kvietok et al.
6,556,272 B1	4/2003	Du et al.	2003/0192959 A1	10/2003	Hess et al.
6,563,091 B2	5/2003	Vieira	2003/0206834 A1	11/2003	Chiao et al.
6,568,659 B2	5/2003	Hugon	2004/0007787 A1	1/2004	Kvietok et al.
6,569,387 B1	5/2003	Furner et al.	2004/0009103 A1	1/2004	Westring
6,581,915 B2	6/2003	Bartsch et al.	2004/0033067 A1	2/2004	He et al.
6,592,104 B2	7/2003	Cox	2004/0101447 A1	5/2004	Tajima et al.
6,602,475 B1	8/2003	Chiao	2004/0131509 A1	7/2004	He et al.
6,603,924 B2	8/2003	Brown et al.	2004/0195372 A1	10/2004	Yoshikawa et al.
6,619,559 B2	9/2003	Wohrle	2004/0217188 A1	11/2004	McEwen
6,654,664 B1	11/2003	Chiao	2004/0217197 A1	11/2004	Mazooji et al.
6,661,967 B2	12/2003	Levine et al.	2004/0241053 A1	12/2004	Thompson et al.
6,672,129 B1	1/2004	Frederickson et al.	2004/0247301 A1	12/2004	Yip et al.
6,712,287 B1	3/2004	Le Pesant et al.	2004/0265164 A1	12/2004	Woo et al.
6,713,024 B1	3/2004	Arnell et al.	2005/0001337 A1	1/2005	Pankhurst et al.
6,728,478 B2	4/2004	Cox et al.	2005/0028819 A1	2/2005	Manne
6,782,194 B2	8/2004	Schneiderbauer	2005/0147523 A1	7/2005	Laudamiel-Pellet et al.
6,783,081 B2	8/2004	Pedrotti et al.	2005/0147539 A1	7/2005	Laudamiel-Pellet et al.
6,783,117 B2	8/2004	Wohrle	2005/0161522 A1	7/2005	Kvietok et al.
6,786,474 B2	9/2004	Watkins et al.	2005/0201944 A1	9/2005	Kvietok et al.
6,790,011 B1	9/2004	Le Pesant et al.	2005/0211790 A1	9/2005	Kvietok et al.
6,790,408 B2	9/2004	Whitby et al.	2005/0214158 A1	9/2005	Kvietok et al.
6,792,199 B2	9/2004	Levine et al.	2006/0018786 A1	1/2006	Tolman et al.
6,802,460 B2	10/2004	Hess et al.	2006/0018803 A1	1/2006	Kvietok et al.
6,803,987 B2	10/2004	Manne	2006/0067859 A1	3/2006	Laudamiel-Pellet et al.
6,832,794 B2	12/2004	He et al.	2006/0081721 A1	4/2006	Caserta et al.
6,834,847 B2	12/2004	Bartsch et al.	2006/0091570 A1	5/2006	Reece
6,842,218 B1	1/2005	Manne	2006/0097065 A1	5/2006	Kvietok et al.
6,843,430 B2	1/2005	Boticki et al.	2006/0097066 A1	5/2006	Kvietok et al.
6,854,717 B2	2/2005	Millan	2006/0110144 A1	5/2006	Fellows et al.
6,859,615 B2	2/2005	Yip et al.	2006/0153731 A1	7/2006	Brown et al.
6,871,794 B2	3/2005	McEwen	2006/0153741 A1	7/2006	Yoshida
6,889,003 B2	5/2005	Triplett et al.	2006/0153744 A1	7/2006	Thompson et al.
6,912,355 B2	6/2005	Vieira	2006/0210421 A1	9/2006	Hammond et al.
6,913,733 B2	7/2005	Hardy et al.	2006/0280659 A1	12/2006	Brown et al.
6,920,282 B2	7/2005	He et al.	2007/0031298 A1	2/2007	Roumpos et al.
6,950,607 B2	9/2005	Yip et al.	2007/0047931 A1	3/2007	Niemeyer
7,011,795 B2	3/2006	Thompson et al.	2007/0048173 A1	3/2007	Keller, Jr. et al.
7,014,818 B2	3/2006	Rymer	2007/0160492 A1	7/2007	Spector
7,021,494 B2	4/2006	Mazooji et al.	2007/0237499 A1	10/2007	DeWitt et al.
D521,621 S	5/2006	Slater	2007/0257130 A1	11/2007	Butler et al.
D529,159 S	9/2006	Howansky et al.	2008/0069725 A1	3/2008	Kvietok et al.
7,132,084 B1	11/2006	Roumpos			
7,133,605 B2	11/2006	Niemeyer			
D534,265 S *	12/2006	Weggelaar ..... D23/366			
7,157,057 B2	1/2007	Gohil	DE	199 38 405	2/2001
7,160,515 B2	1/2007	Murdell et al.	EP	295 129	12/1988
7,190,888 B2	3/2007	Wolf et al.	EP	714 709	6/2000
7,201,333 B2	4/2007	Yoshikawa et al.	EP	1 108 358	6/2001
D542,902 S *	5/2007	Caserta et al. .... D23/366	EP	1 184 083	3/2002
D542,903 S	5/2007	Caserta et al.	EP	1 195 169	4/2002
7,223,361 B2	5/2007	Kvietok et al.	EP	1 247 446	10/2002
7,249,719 B2	7/2007	He et al.	EP	1 247 447	10/2002
D548,318 S	8/2007	Copeman	GB	2 253 732	5/1991
7,277,626 B2	10/2007	Pesu et al.	JP	04024029	1/1992
D556,311 S *	11/2007	Copeman ..... D23/366	JP	06-205929	7/1994

## FOREIGN PATENT DOCUMENTS

# US D584,809 S

Page 4

---

JP	09-201155 A	8/1997
JP	11-000391	1/1999
WO	WO 00/53301	9/2000
WO	WO 00/60489	10/2000
WO	WO 02/09772	2/2002
WO	WO 02/09779	2/2002
WO	WO 02/32472	4/2002
WO	WO03/099458	12/2003
WO	WO 2004/043502	5/2004
WO	WO 2004/093927	11/2004
WO	WO 2004/093929	11/2004
WO	WO 2006/026637	3/2006
WO	WO 2006/032709	3/2006
WO	WO 2006/084921	8/2006
WO	WO 2006/015347	10/2006

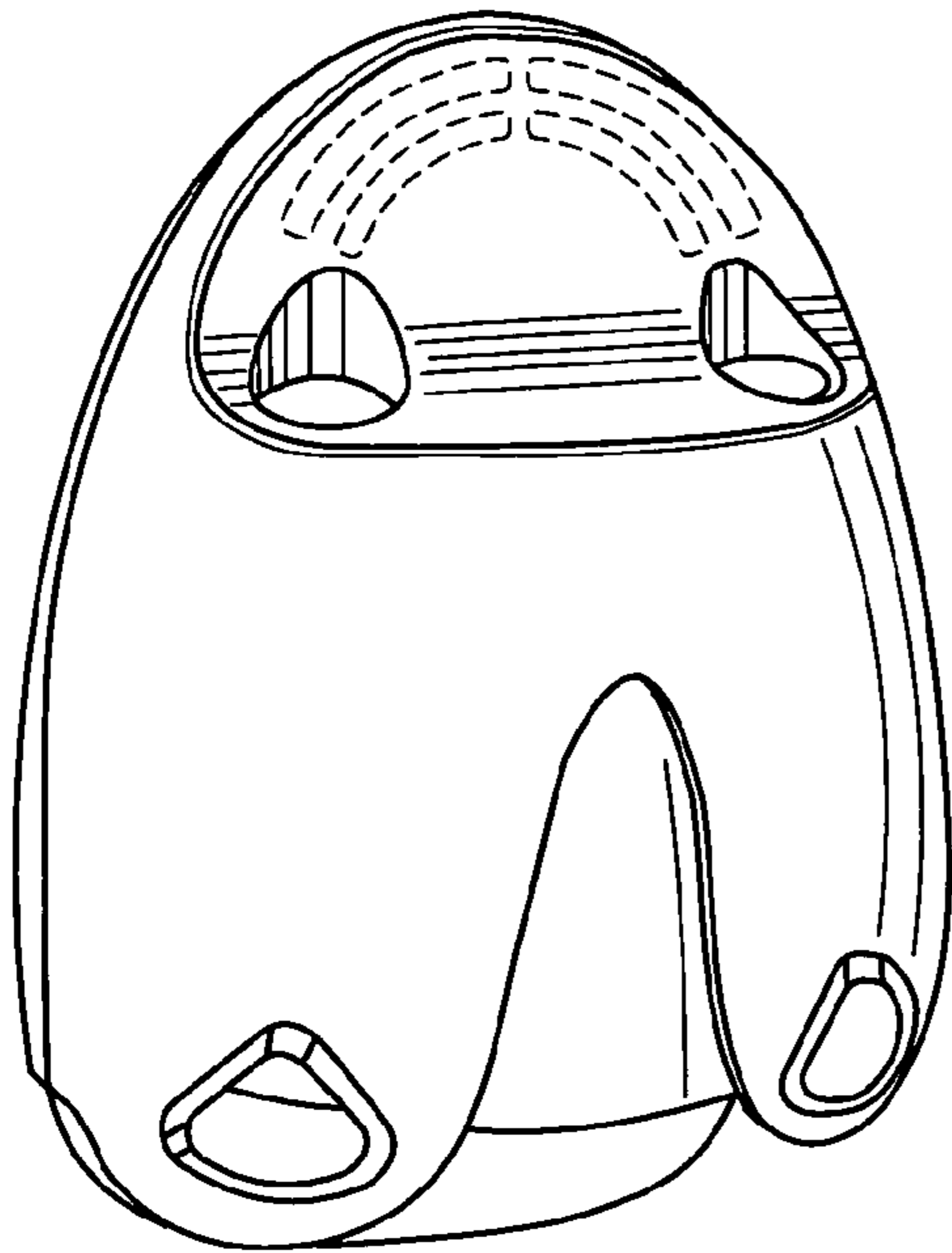
WO	WO 2007-064188	6/2007
WO	WO 2007/064189	6/2007
WO	WO 2007/064197	6/2007
WO	WO 2007/064199	6/2007
WO	WO 2007/079046	7/2007
WO	WO 2007/128146	11/2007
WO	WO 2007/128147	11/2007
WO	WO 2007/128148	11/2007

## OTHER PUBLICATIONS

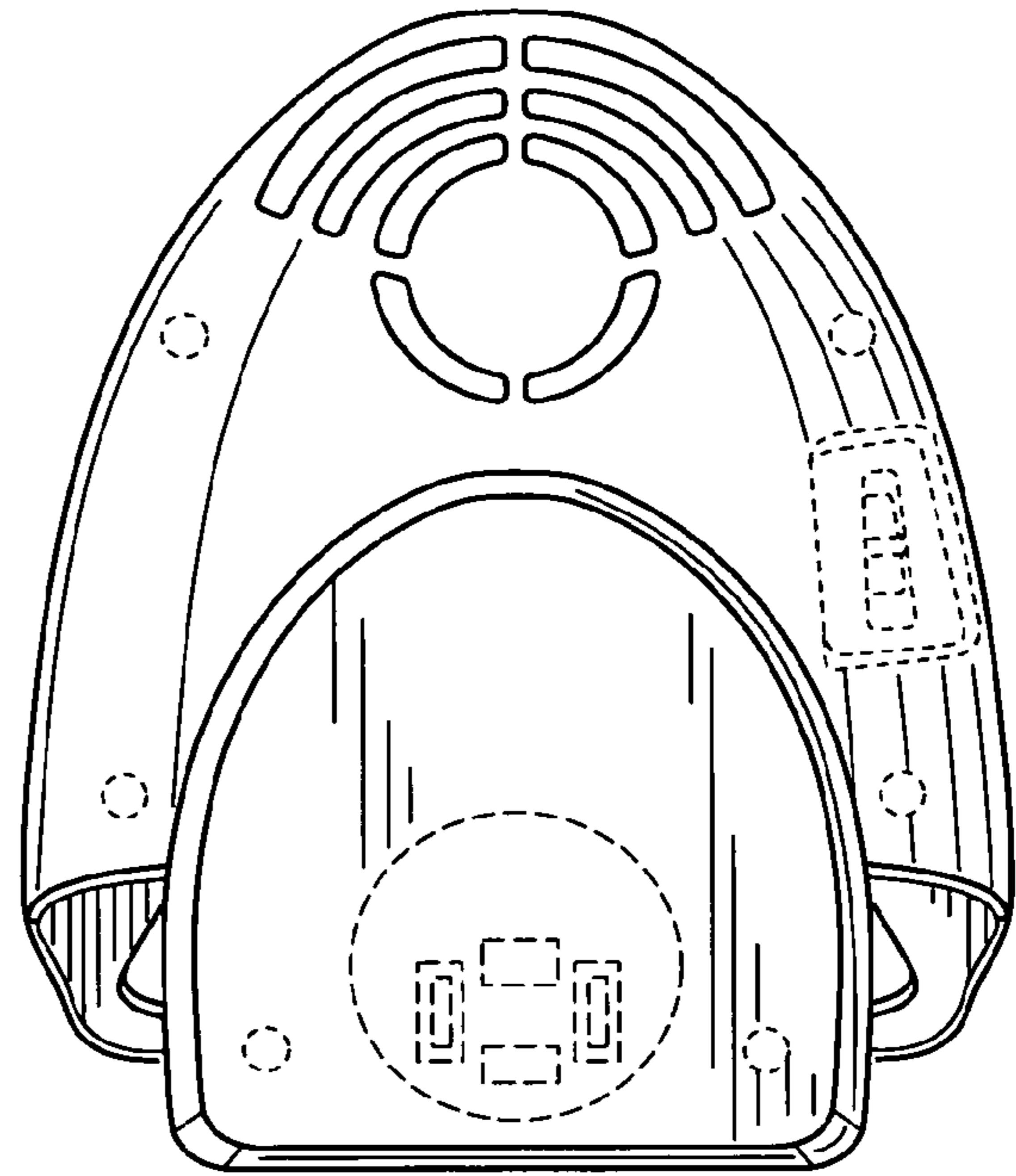
International Search Report and Written Opinion in PCT/US2005/023211 dated Nov. 15, 2005.

\* cited by examiner

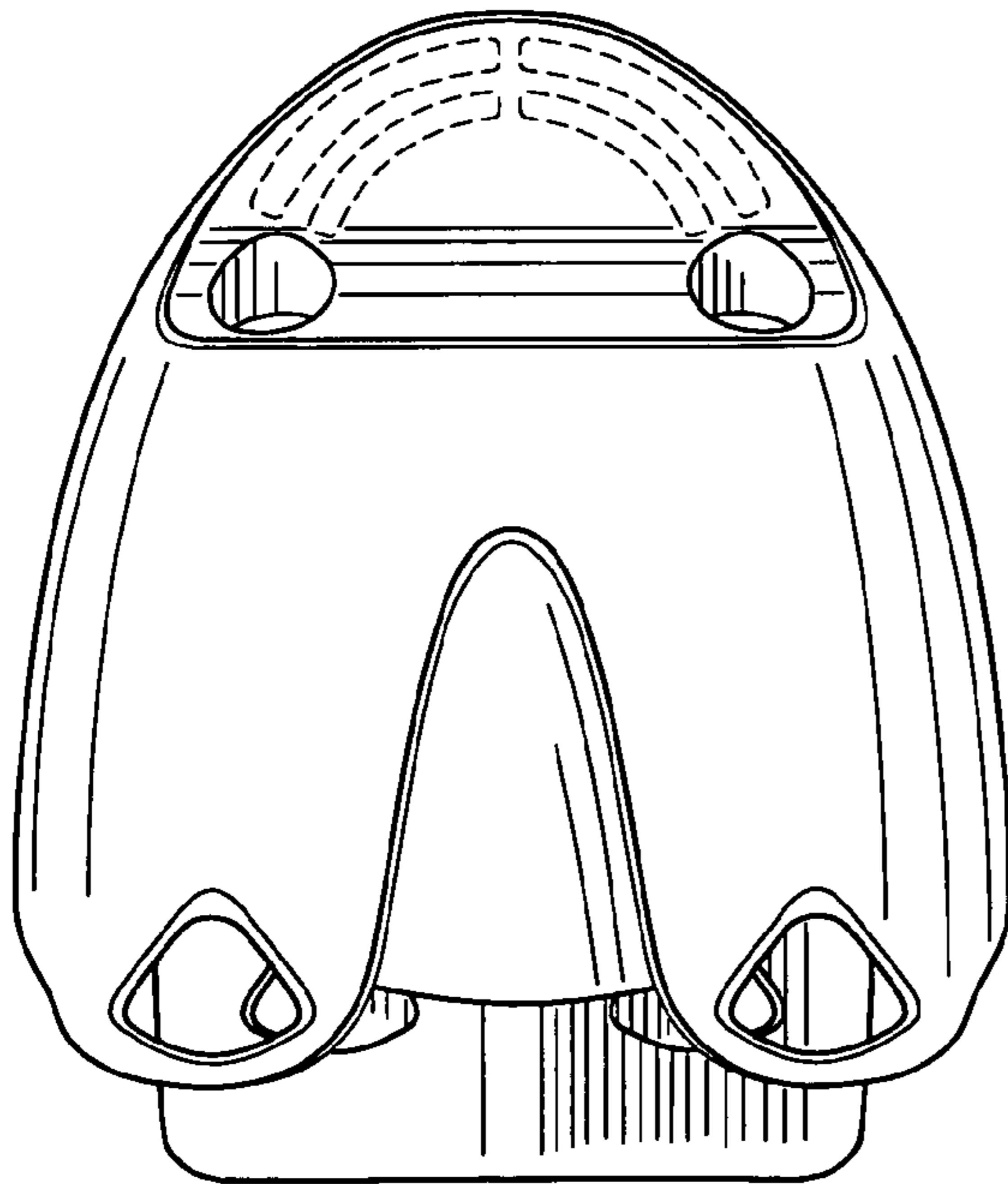
**Fig. 1**



**Fig. 2**



**Fig. 3**



**Fig. 4**

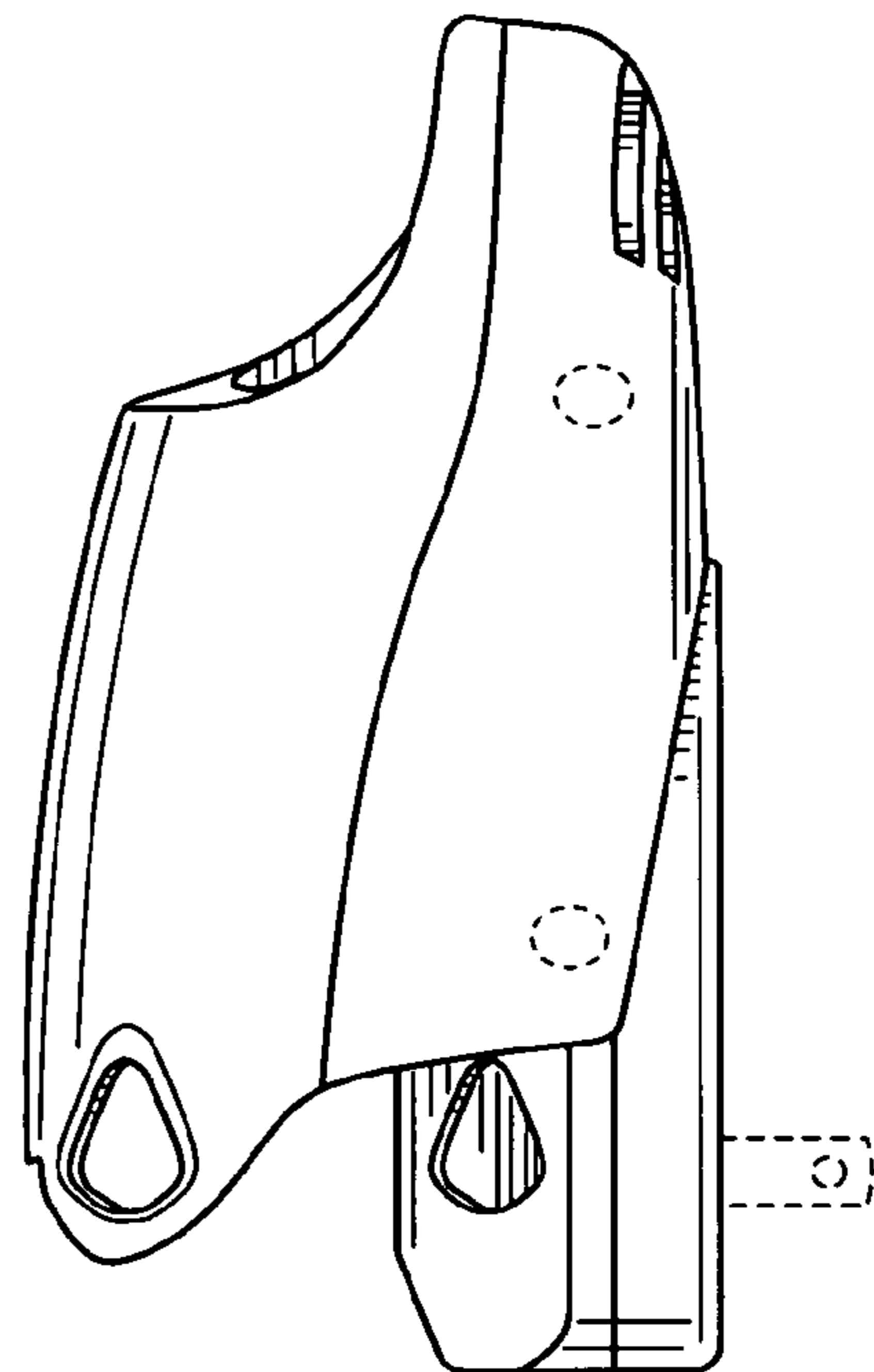


Fig. 5

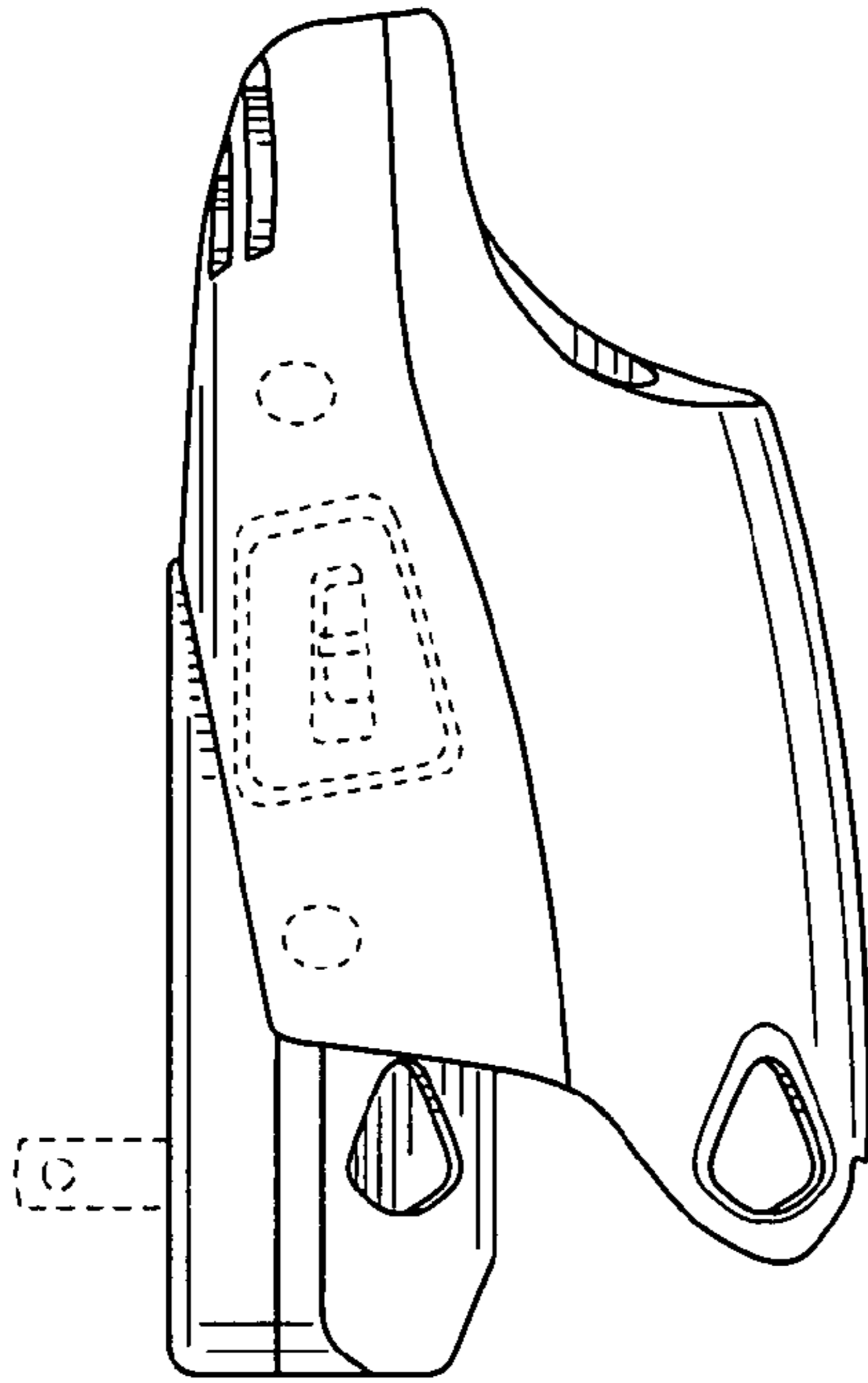


Fig. 6

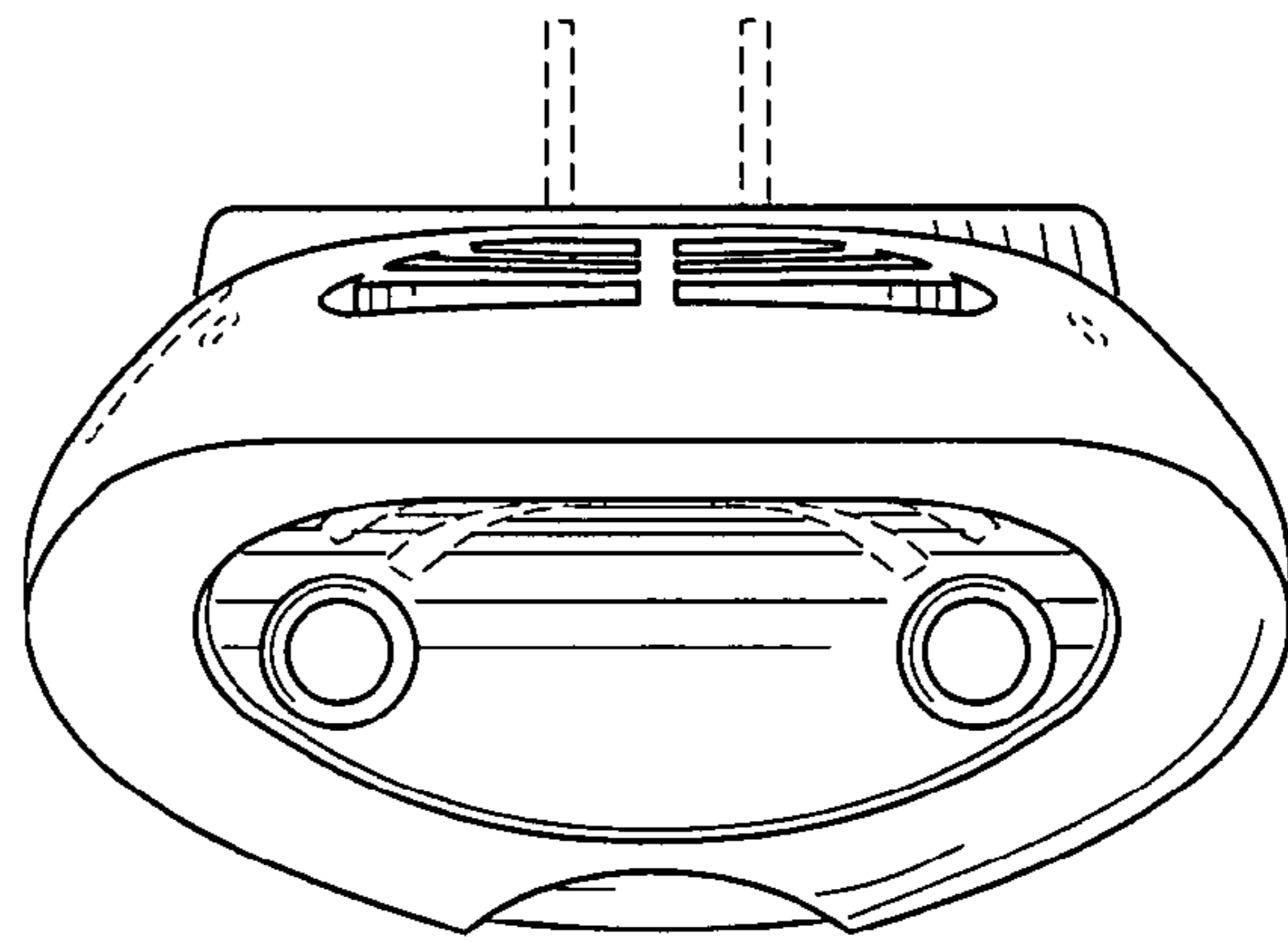
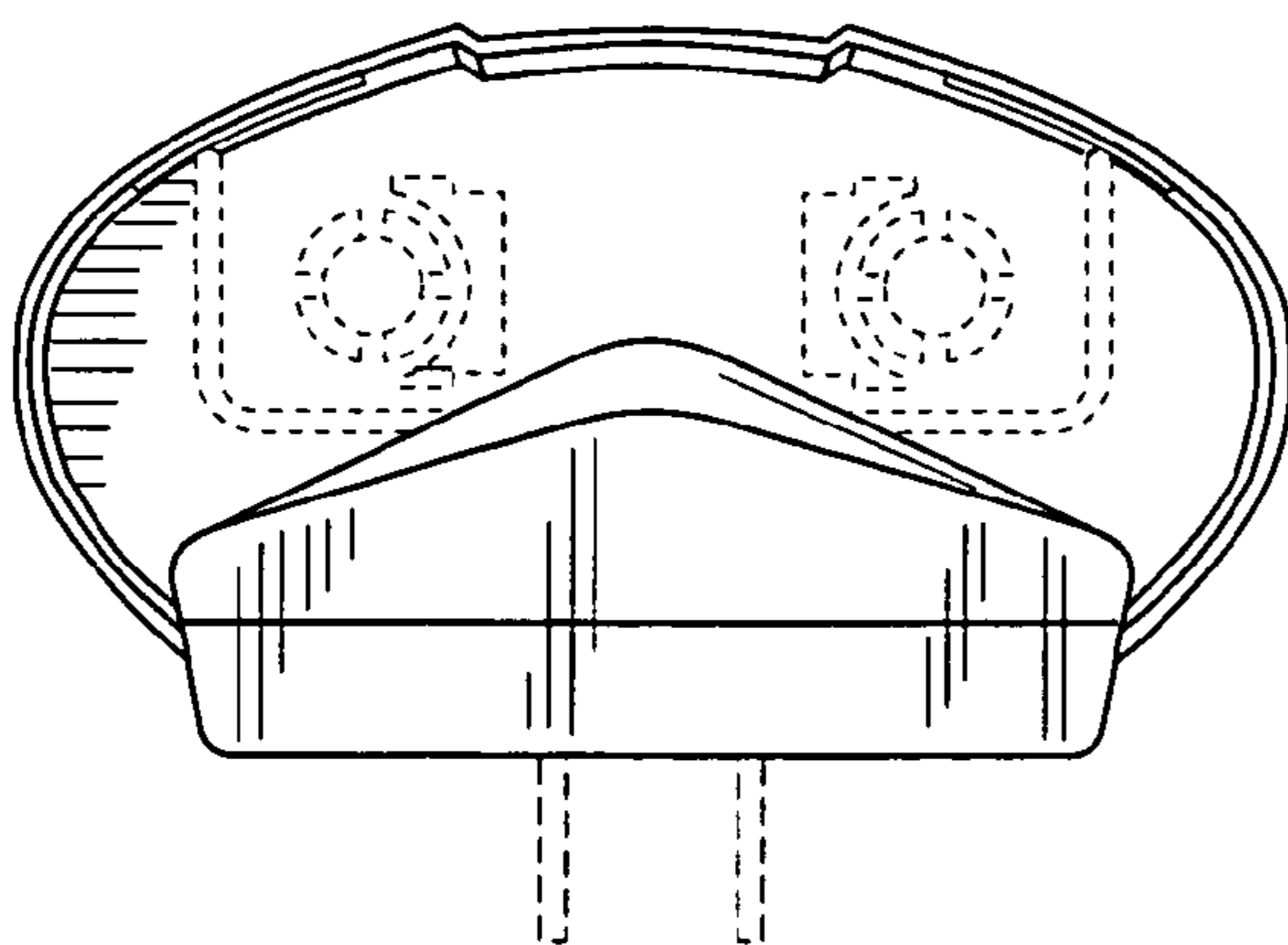
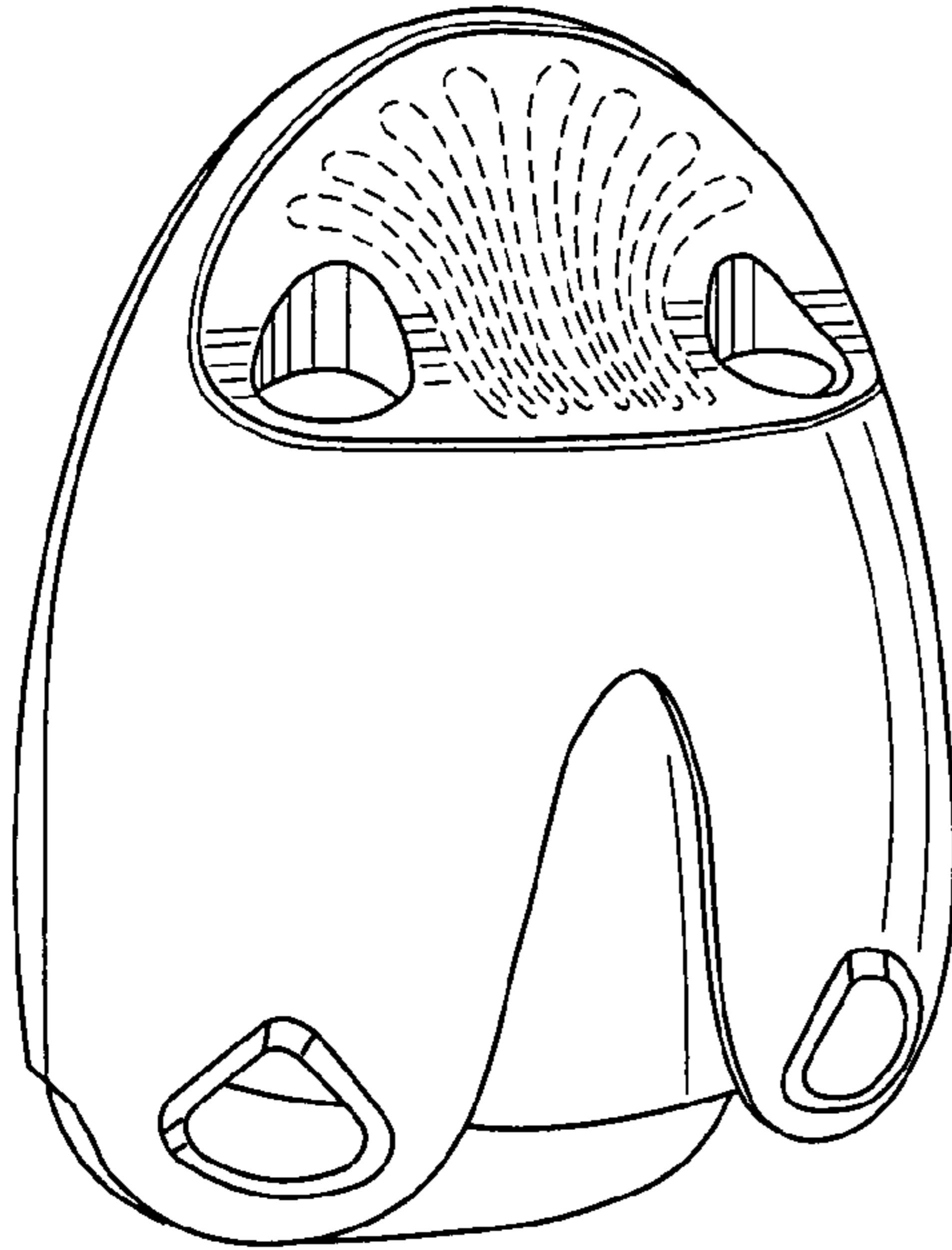


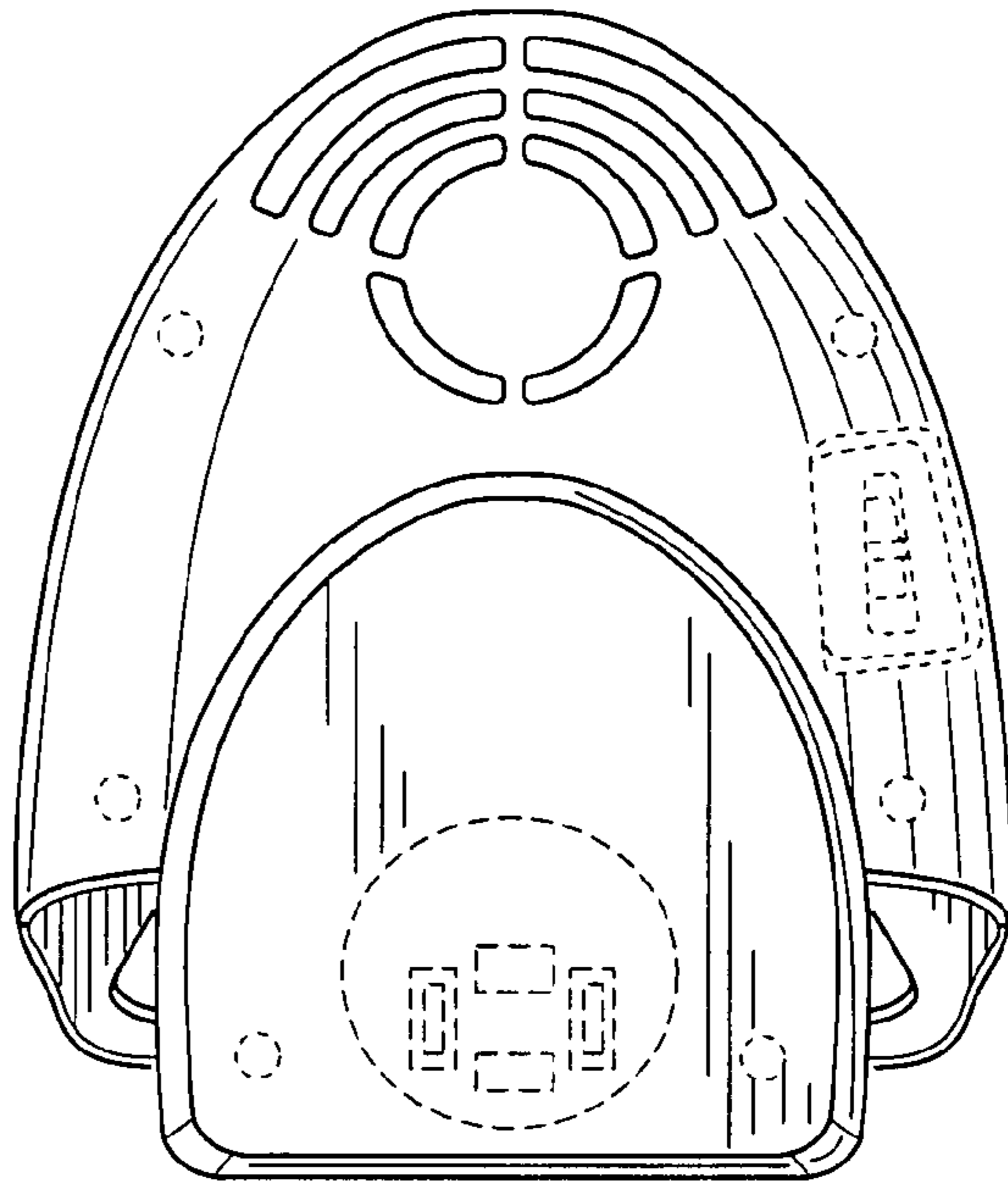
Fig. 7



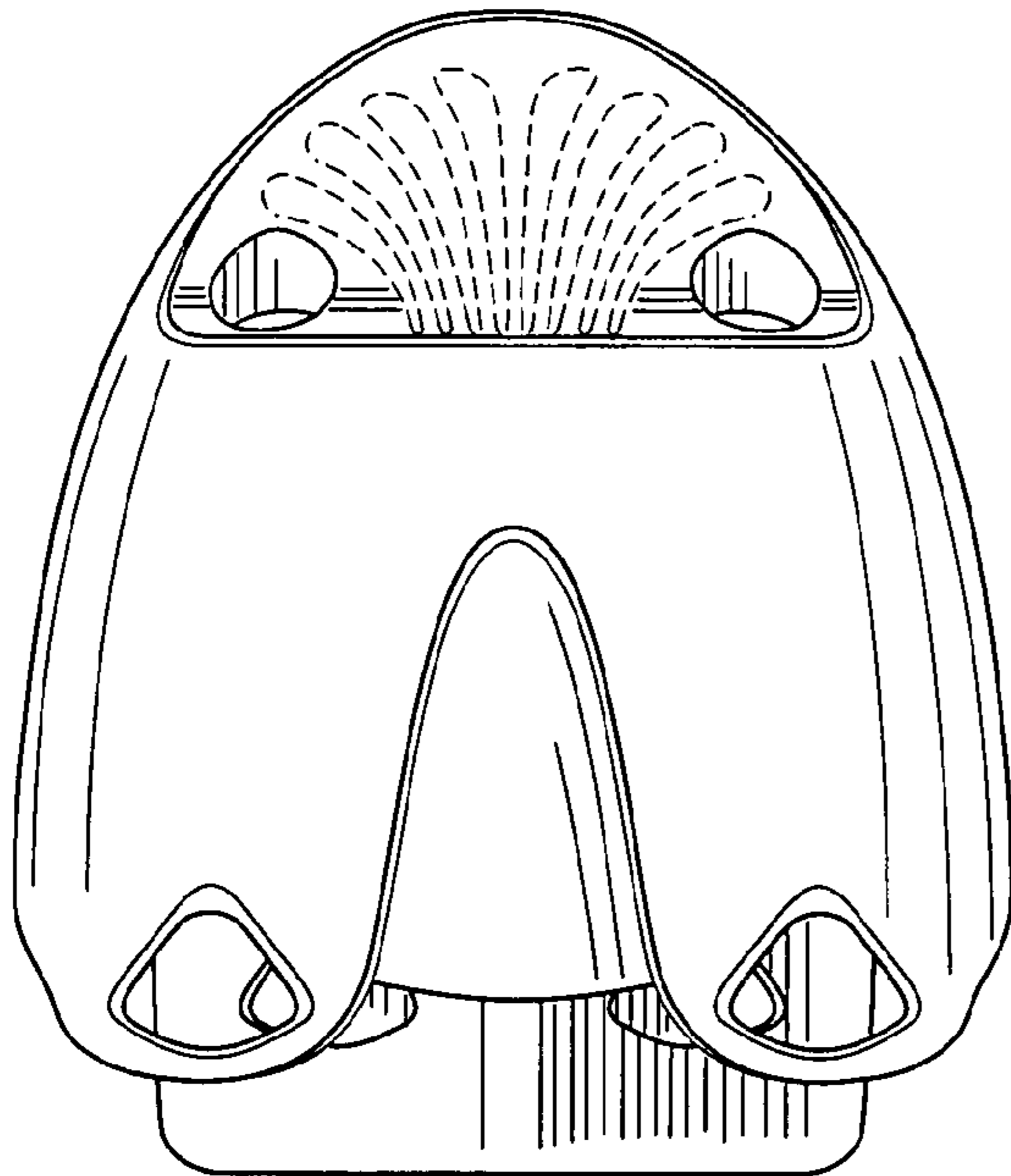
**Fig. 8**



**Fig. 9**



**Fig. 10**



**Fig. 11**

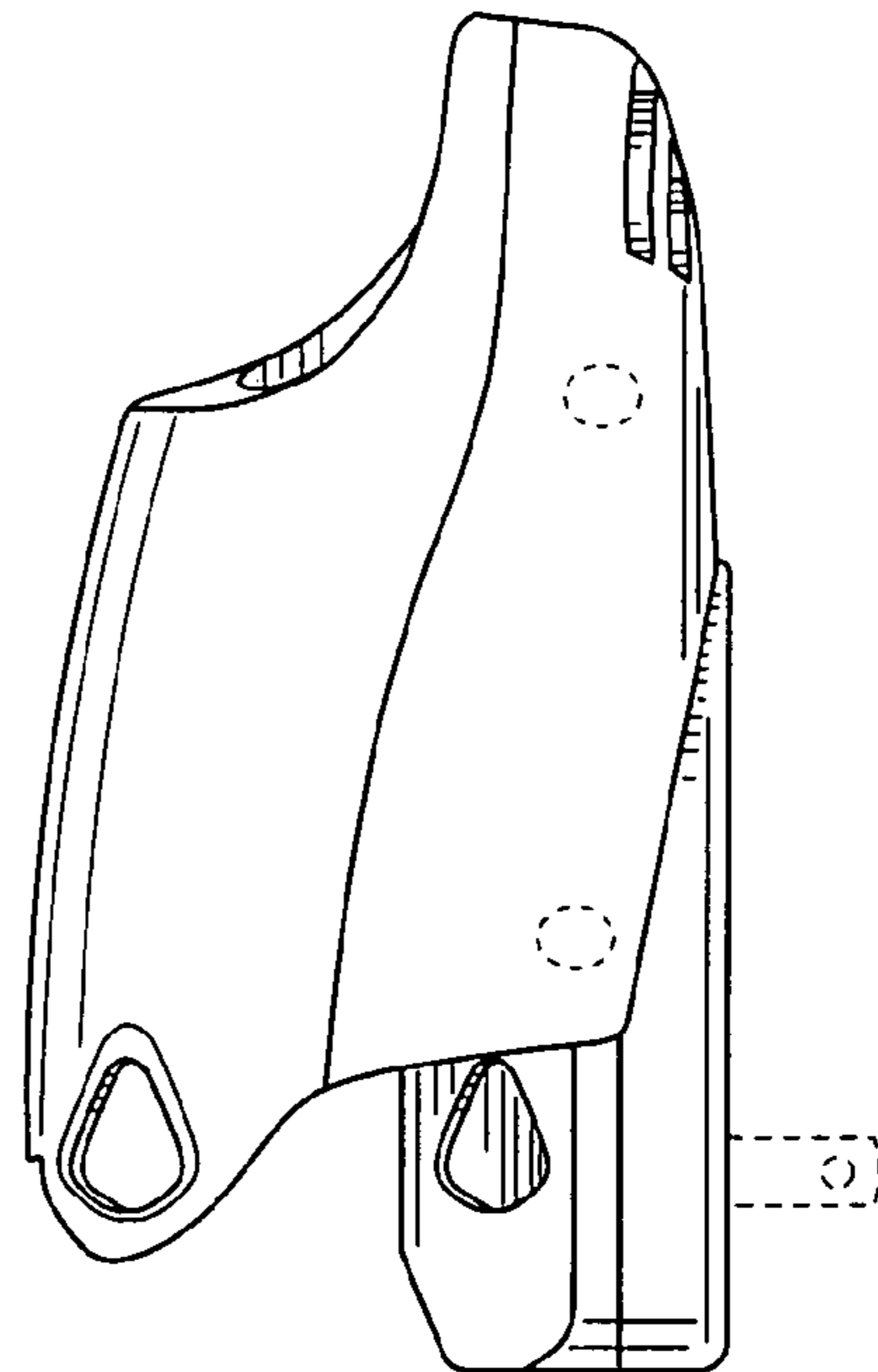


Fig. 12

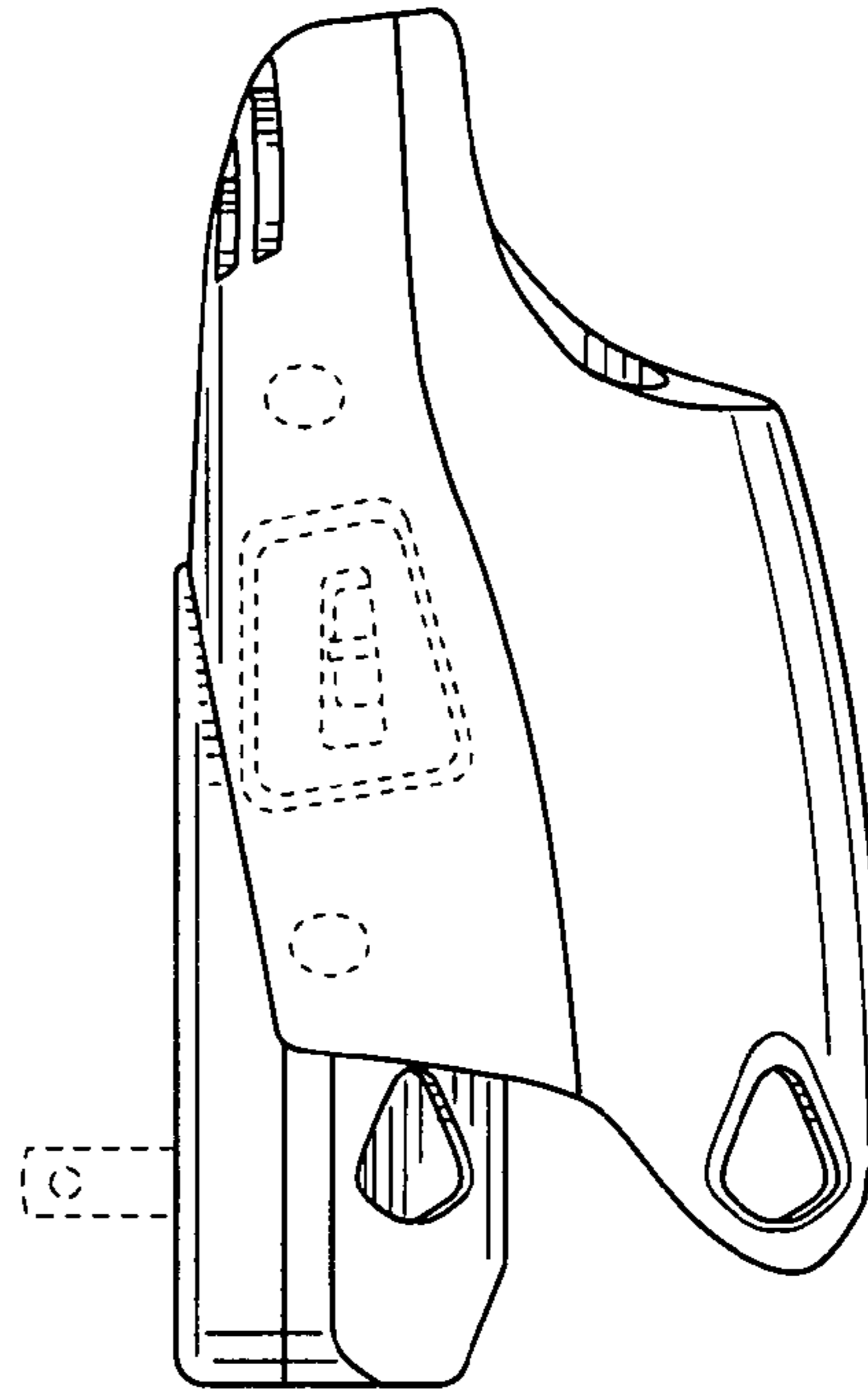


Fig. 13

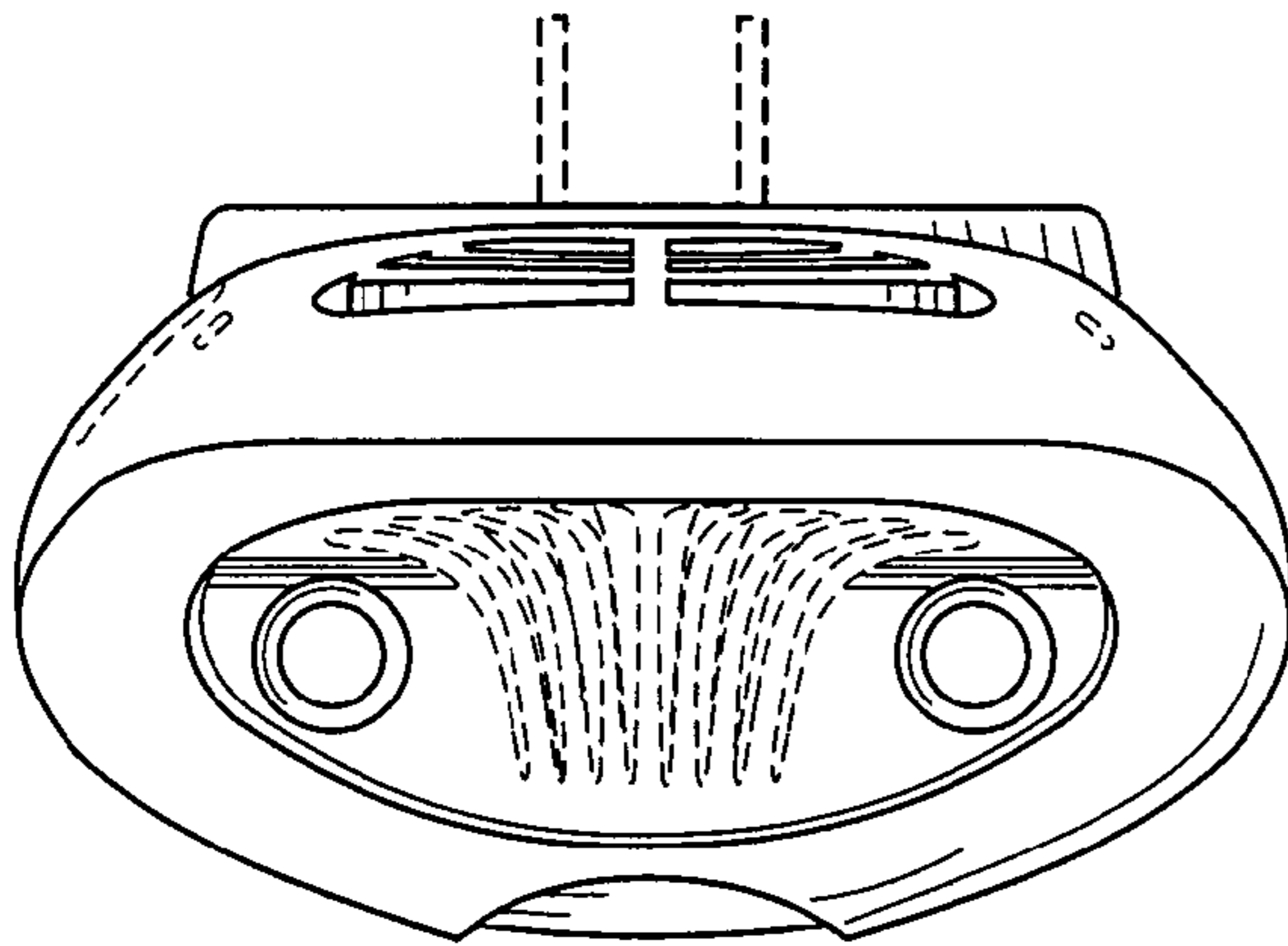
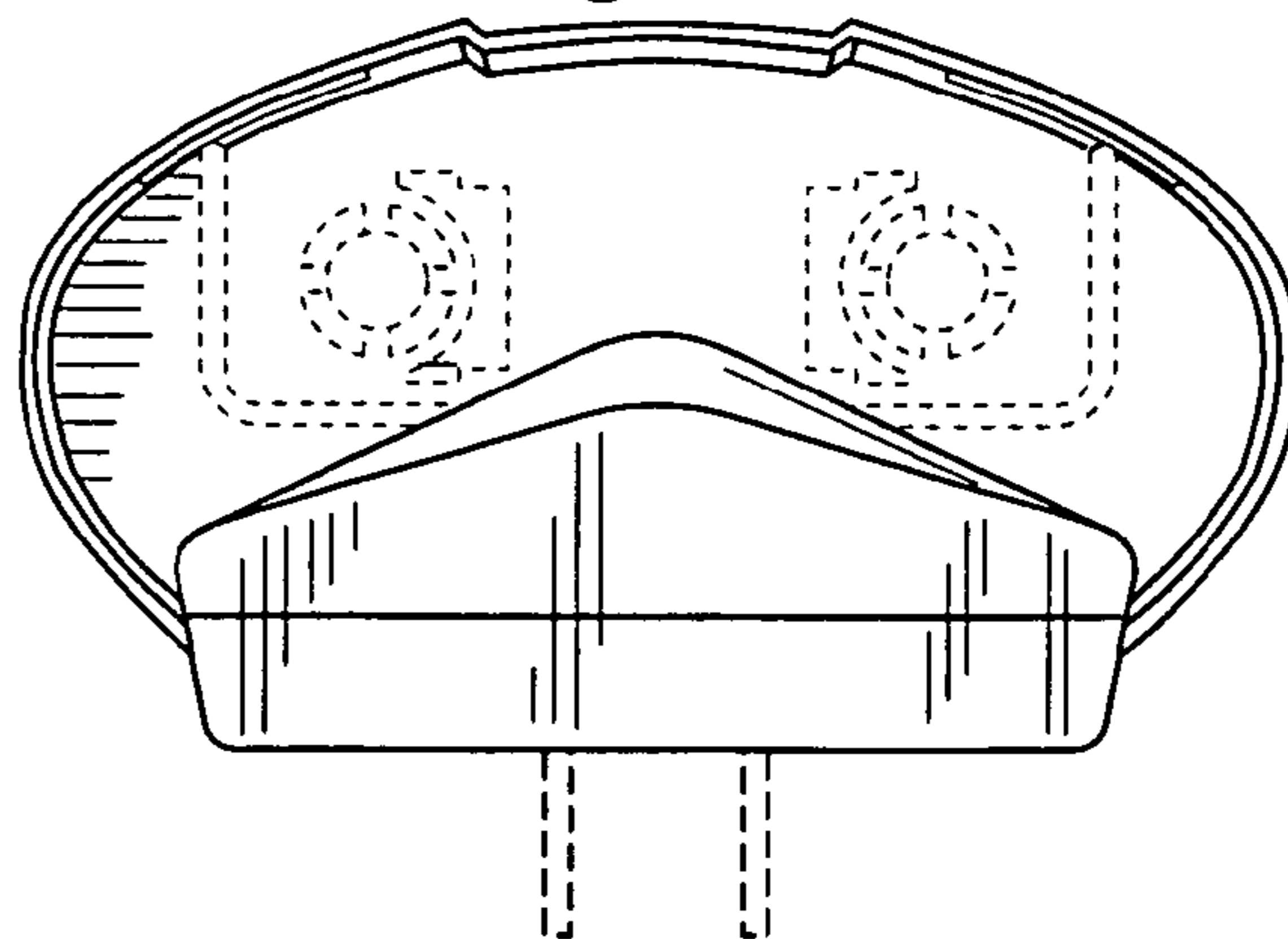


Fig. 14





UNITED STATES PATENT AND TRADEMARK OFFICE  
**CERTIFICATE OF CORRECTION**

PATENT NO. : Des. 584,809 S  
APPLICATION NO. : 29/294951  
DATED : January 13, 2009  
INVENTOR(S) : Jose Porchia et al.

Page 1 of 1

It is certified that error appears in the above-identified patent and that said Letters Patent is hereby corrected as shown below:

Inventors, Line 2: replace "Lisbon" with --Lisboa--

Description, Line 30: delete "above"

Signed and Sealed this

Seventeenth Day of March, 2009



JOHN DOLL  
*Acting Director of the United States Patent and Trademark Office*